

Sensormatic® Ultra•Lane System

Ultra•Max® EAS Protection For Checkout Lanes

Designed to provide anti-shoplifting protection for supermarkets, hypermarkets and other retailers that require lane protection, the Sensormatic® Ultra•Lane System offers Electronic Article Surveillance (EAS) protection for checkout lanes. The system is based on Sensormatic Ultra•Max® Acousto Magnetic technology, which is the same technology used by leading retailers around the world to protect their valuable merchandise from theft.

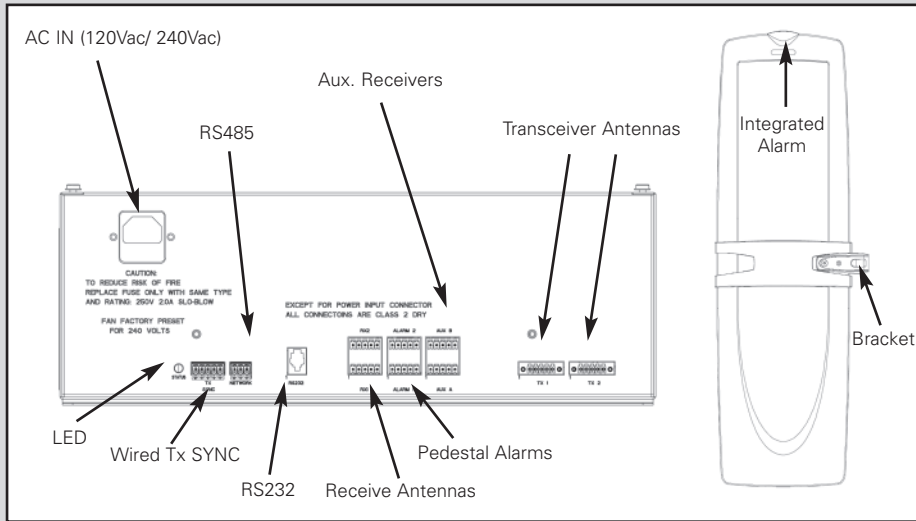
A single pedestal can protect one or two lanes and one controller can protect up to four lanes. The pedestal's slim, yet durable design ensures minimal impact on shopping cart passage, as well as provides an aesthetically pleasing look. The Ultra•Lane's flexible configuration also allows for multiple installation options. In order to reduce modifications to the checkout, the pedestal can be attached to a railing post or mounted to either side of a checkout counter.

ULTRA•LANE FEATURES

- Flexible design allows multiple configuration and mounting options
- Includes an integrated alarm module
- Detection performance designed for 80-180 cm antenna separation
- Superb Ultra•Max detection through most liquids, metalized packaging foils, and shopping carts
- Fits most checkstands and aisles with minimal modification
- Controller contains ports (RS232 and RS485) for service, networking capabilities and integration into the Sensormatic SmartEAS system with a converter.

Sensormatic® Ultra•Lane System

Technical Specifications



Antenna

HxWxD: 121.3x36.4x3.6cm
 Width with bracket set: 43.4cm
 Weight: 5.2 kg (11.5 lbs.)

Controller

LxWxH: 37.3x27.8x13.4cm
 Weight: 3.34 kg (7.34 lbs.)

Power Supply

Primary input: 100-120Vac or 200-240Vac @ 50-60Hz
 Primary power fuse: 2A, 250V, slo-blow, hi-breaking
 Input power: <100W
 Transmitter Operating frequency: 58 (±200Hz)
 Transmit burst duration: 1.6ms
 Transmit current maximum: 15A peak
 Burst Repetition Rate:
 Based on 50Hz ac: 75Hz or 37.5Hz
 Based on 60Hz ac: 90Hz or 45Hz

Receiver

Center frequency: 58kHz

Environmental

Ambient temperature: 0°C to 50°C (32°F to 122°F)
 Relative humidity: 0 to 90% noncondensing

Regulatory Compliance

EMC: 47 CFR, Part 15, ETSI EN 300330-1 V1.3.2 (2002), ETSI EN 300330-2 V1.1.1 (2001-06), ETSI EN 301489-3 V 1.4.1 (2002-08), ETSI EN 301489-1 V 1.4.1 (2002-08), RSS210
 Safety: UL 60950, CSA C22.2 No 60950, EN 60950

DETECTION PERFORMANCE

The Ultra•Lane is able to cover the following lane widths with a dual resonator:

- Single antenna - 80cm width and 150cm < height
- Single antenna-auxiliary ferrite antenna - 90cm width and 150cm < height

CONFIGURATION OPTIONS

The Ultra•Lane system detects EAS tags/labels in an aisle, with up to four lanes independently supported. The detector consists of an antenna controller and one of the antenna combinations listed below:

- One Ultra Aisle antenna set up as a transceiver for each lane (two lanes maximum)
- One Ultra Aisle antenna set up as a transmitter and one pair of Ranger antennas set up as a receiver for each lane (two lanes maximum)
- One Ultra Aisle antenna set up as a transmitter on a railing post between two adjacent lanes with a pair of Ranger antennas for each aisle (four lanes maximum)

CONTROLLER FEATURES

Multiple Transceiver Ports - The controller has four ports to which antennas can be connected. The controller supports two transceiver (Tx/Rx) antennas and two receive antennas, or two transmit (Tx) antennas and four receive (Rx) antennas.

Communication Ports - The controller has two communication ports (RS232/485)

Wired Sync Port - A wired sync transmitter eliminates interference from nearby detectors and deactivators. A wired sync device connected to the port is automatically used as the timing reference for system functions.

PRODUCT COMPATIBILITY

The Ultra•Lane is compatible with all Ultra•Max 58kHz tags and labels.

Product Codes

ZEAISLEPP	Ultra•Lane Controller
ZSAISLE	Ultra•Lane Single Antenna
03520199-01	Checkout Mount Bracket Kit
03520198-01	Pole Mount Install Kit
ZKRANGER-DG	Dark Grey Ranger Antenna Kit
0352-0225-01	Controller Shroud
0352-0221-01	Antenna Spacers
ZAAISLE-1C	Single Antenna System - One Controller and One Antenna
ZAAISLE-1F1C	Single Antenna System - One Controller, One Antenna and One Pair of Rangers
ZAAISLE-2C	Dual Antenna System - One Controller and Two Antennas
ZAAISLE-2F2C	Dual Antenna System - One Controller, Two Antennas and Two Pairs of Rangers
ZAAISLE-1P	Single Antenna System - One Controller, One Antenna and One Pole Mount Bracket
ZAAISLE-2P	Dual Antenna System - Controller, Two Antennas and Two Pole Mount Brackets
ZAAISLE-1F2P	Single Antenna System - One Controller, One Antenna, One Pole Mount Bracket and Two Pairs of Rangers
ZAAISLE-2F4P	Dual Antenna System - One Controller, Two Antennas, Two Pole Mount Brackets and Four Pairs of Rangers